

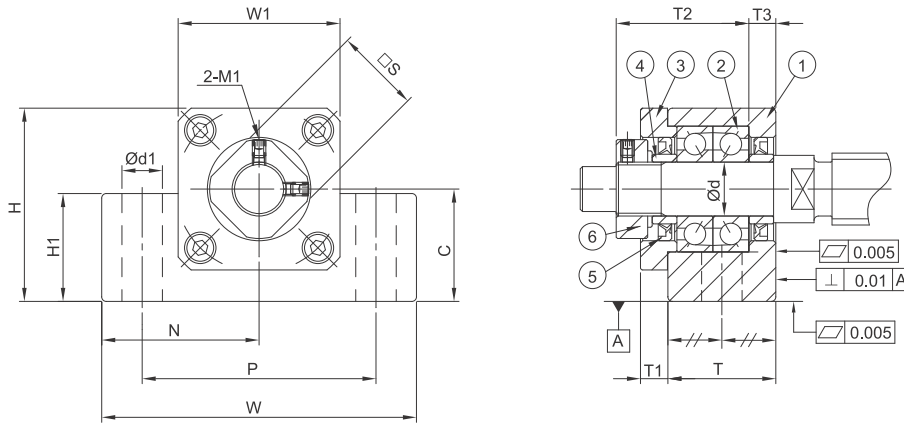
Linear Motion Component ▶ Support Units

Fixed Side Standard Type | Protruding Design | GEK

GEK-B



GEK06 ~ GEK20



Standard Type	Dimensions											
	Ød	T	T1	T2	T3	W ^{0.04}	W1	H	H1	N±0.02	C ^{0.002}	P
GEK06	6	20	5.5	22	3.5	42	20	25	12	21	13	30
GEK08	8	23	7	26	4	52	27	32	16	26	17	38
GEK10	10	24	6	29.5	6	70	36	43	24	35	25	52
GEK12	12	24	6	29.5	6	70	36	43	24	35	25	52
GEK15	15	25	6	32	5	80	40	50	25	40	30	60
GEK20	20	42	10	50	10	95	56	58	25	47.5	30	75

Ordering Example	GEK	10	SL	N	J
	Model No.	Shaft Dia.	Grade/Pre-loaded	Surface finish	Bearing category

Linear Motion Component ▶ Support Units

Fixed Side Standard Type | Protruding Design | GEK

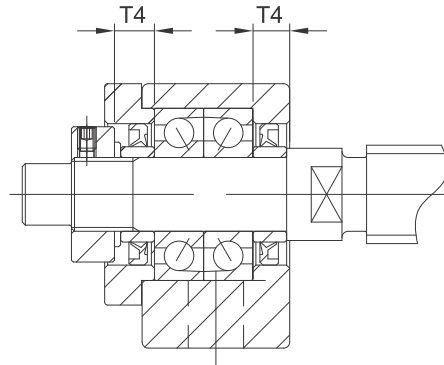
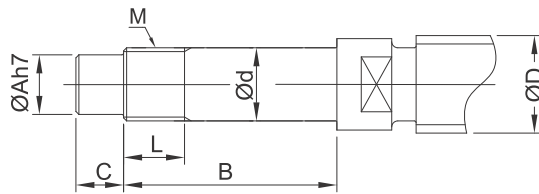


Components

No.	Parts	Material	Q'ty
①	Main housing	S50C	1
②	Bearing	SUJ2	1 pair
③	Cover	S50C	1
④	Space ring	S50C	2
⑤	Seal ($\lt; \varnothing 8$ one seal only)	NBR	2
⑥	Lucknut	S50C	1

- ①②③ are in one unit. No disassemble for accuracy concern.
- Bearing filled with proper lithium soap lubricant and sealed.

Recommended Processing Dimensions of Shaft



Unit : mm

Dimensions			Recommended Processing Dimensions of Shaft							
			Ball Screw Shaft O. D.	Shaft End Diameter	Processing Sizes of Shaft			Nominal Thread		Space Ring Length
Ød1	M1	□s	ØD	Ød	ØA	B	C	M	L	T4
5.2	M3	12	5	6 ^{+0.005} _{-0.012}	4	28	8	M6*P0.75	8	5
6.3	M3	14	10 / 12	8 ^{+0.005} _{-0.012}	6	32	9	M8*P1.0	10	5.5
9	M3	16	12 / 14 / 15	10 ^{+0.005} _{-0.012}	8	36	15	M10*P1.0	11	5.5
9	M3	19	14 / 15 / 16	12 ^{+0.005} _{-0.012}	10	36	15	M12*P1.0	11	5.5
11	M3	22	18 / 20	15 ^{+0.005} _{-0.014}	12	40	20	M15*P1.0	13	6
11	M4	30	25 / 28 / 30	20 ^{+0.005} _{-0.014}	17	62	25	M20*P1.0	17	11

- Supported Side spec refer to P.0051~P.0052